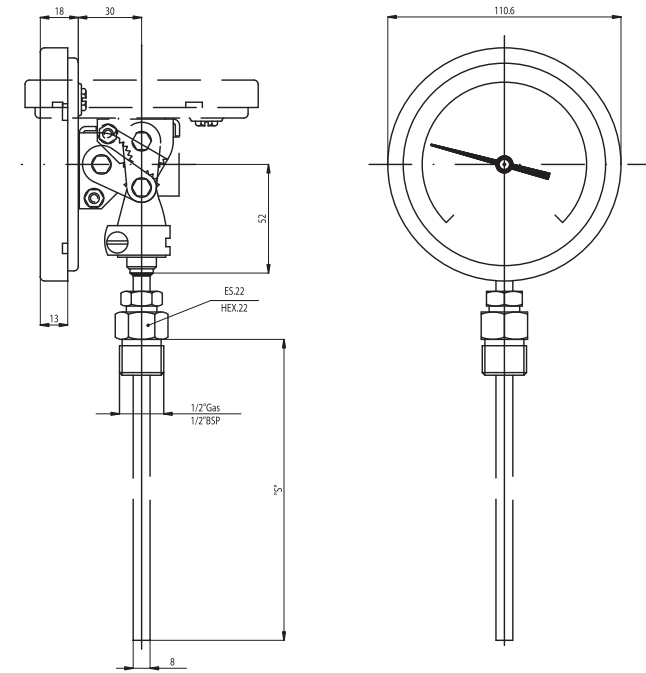
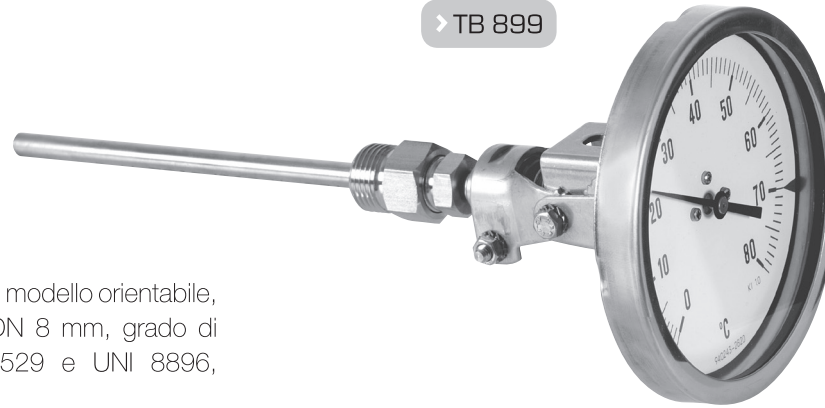




TERMOMETRI BIMETALLICI DN100 Bimetallic thermometers DS100

> TB 899



- > Termometro bimetallico, tutto inox, modello orientabile, elemento sensibile in AISI 316 DN 8 mm, grado di protezione IP55 secondo IEC 529 e UNI 8896, saldature in AISI 304 TIG.
- > Bimetallic stainless steel thermometer, every angle, AISI 316 stainless steel process connection, IP 55 protection as IEC 529 and UNI 8896, AISI 304 TIG welding.

> LUNGHEZZA BULBO 150 MM.
> BULB LENGTH 150 MM.

> CAMPO SCALA > RANGE	> ATTACCO > CONNECTION	> CODICE > CODE
-20/+80 °C	1/2" Gas/BSP	TB899.E31241M
	1/2" NPT	TB899.E31243M
0/80 °C	1/2" Gas/BSP	TB899.E31541M
	1/2" NPT	TB899.E31543M
0/120 °C	1/2" Gas/BSP	TB899.E31741M
	1/2" NPT	TB899.E31743M
0/200 °C	1/2" Gas/BSP	TB899.E31941M
	1/2" NPT	TB899.E31943M
0/300 °C	1/2" Gas/BSP	TB899.E32141M
	1/2" NPT	TB899.E32143M

> LUNGHEZZA BULBO 250 MM.
> BULB LENGTH 250 MM.

> CAMPO SCALA > RANGE	> ATTACCO > CONNECTION	> CODICE > CODE
-20/+80 °C	1/2" Gas/BSP	TB899.E31241M
	1/2" NPT	TB899.E31243M
0/80 °C	1/2" Gas/BSP	TB899.E31541M
	1/2" NPT	TB899.E31543M
0/120 °C	1/2" Gas/BSP	TB899.E31741M
	1/2" NPT	TB899.E31743M
0/200 °C	1/2" Gas/BSP	TB899.E31941M
	1/2" NPT	TB899.E31943M
0/300 °C	1/2" Gas/BSP	TB899.E32141M
	1/2" NPT	TB899.E32143M

- > Per esecuzioni differenti dallo standard non esitate a contattare i nostri uffici commerciali.
- > For products out of the standard range, please contact our sales offices.