

Enclosures:

Cast Aluminum:

Oven baked powder coating
hammertone grey

**Also available in
SS 316**

Wheaterproof **IP 66**
- EN 60529
(Nema 4X)

Repeatability:

Typical 0.2% of Full Scale

Standard unit: Barg

Optional: PSI / Kg / Pa

Standard process connetion:
1/4" NPT F or BSP F

Standard Diaphragm/O-ring:
Buna N / Buna N

For wetted parts:

More possibilities available,
see full catalogue



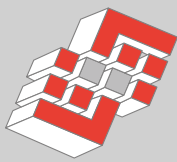
RANGES for Pressure swiches:

RANGE CODE	ADJUSTABLE RANGE		ADJUSTABLE RANGE		ADJUSTABLE RANGE		ADJUSTABLE RANGE	
	mBar/ Bar		PSI / Inch WC		Kpa/ MPa		Kg/cm2 / mmH2O	
P 301 L ¹⁾	2 - 15	mBar	0.8 - 6	InchWC	0.2 - 1.5	kPa	20 - 150	mmH2O
P 302 L ¹⁾	10 - 100	mBar	4 - 39	InchWC	1 - 10	kPa	100 - 1000	mmH2O
P 304 L	20 - 240	mBar	8 - 94	InchWC	2 - 24	kPa	200 - 2400	mmH2O
P 306 L	20 - 560	mBar	8 - 220	InchWC	2 - 56	kPa	200 - 5600	mmH2O
P 308 L	25 - 1300	mBar	10 - 510	InchWC	2.5 - 130	kPa	250 - 13000	mmH2O
P 402 M	100 - 400	mBar	1.5 - 5.8	PSI	10 - 40	kPa	0.1 - 0.41	Kg/cm2
P 404 M	100 - 950	mBar	1.5 - 14	PSI	10 - 95	kPa	0.1 - 0.97	Kg/cm2
P 406 M	120 - 2300	mBar	1.7 - 33	PSI	12 - 230	kPa	0.12 - 2.3	Kg/cm2
P 408 M	150 - 5400	mBar	2.1 - 78	PSI	15 - 540	kPa	0.15 - 5.45	Kg/cm2
P 502 H	0.3 - 1.6	Bar	4.4 - 23	PSI	0.03 - 0.16	MPa	0.3 - 1.60	Kg/cm2
P 504 H	0.4 - 3.5	Bar	5.8 - 51	PSI	0.04 - 0.35	MPa	0.4 - 3.5	Kg/cm2
P 506 H	0.5 - 9.0	Bar	7.3 - 130	PSI	0.05 - 0.9	MPa	0.5 - 9.2	Kg/cm2
P 508 H	0.7 - 21.5	Bar	10 - 310	PSI	0.07 - 2.15	MPa	0.7 - 22	Kg/cm2
P 706 H	2.5 - 32	Bar	36 - 464	PSI	0.25 - 3.2	MPa	2.5 - 33	Kg/cm2
P 708 H	3.0 - 76	Bar	44 - 1100	PSI	0.3 - 7.6	MPa	3.1 - 77	Kg/cm2
P 808 H	4.0 - 170	Bar	58 - 2500	PSI	0.4 - 17	MPa	4 - 170	Kg/cm2
P 908 H	10 - 300	Bar	150 - 4400	PSI	1 - 30	MPa	10 - 310	Kg/cm2
P 909 H	10 - 350	Bar	150 - 5100	PSI	1 - 35	MPa	10 - 360	Kg/cm2

¹⁾ Only available with L1-microswitch element. K1-microswitch element possible consult factory).

Disclaimer:

We reserve the right to make changes or modify the contents of this document without prior notice.
STR. IND. does not accept any liability or claim whatsoever for potential errors, incorrect interpretation or possible lack of information in this document.
It is clearly and only intended as course and general information of our products.



Making the modelcode: Follow steps 1 to 5

1 Selection of enclosure type.

Conduit:	Material:	Code:
Pg 13.5	Aluminium	C1
M20 x 1.5	Aluminium	C2
3/4" NPT F	Aluminium	C3
1/2" NPT F	Aluminium	C4
M20 x 1.5	SS 316	C8
Other/ Specials	Aluminium	CX
	SS 316	CX

2 Selection of range code, see front page.

3 Selection of process connection.

Size:	Material:	Code:
1/4" NPT F	Aluminium *	A1N
1/2" NPT F	Aluminium *	A2N
1/4" NPT F	SS 316	S1N
1/2" NPT F	SS 316	S2N
1/2" NPT M	SS 316	S7N

* Aluminum only, std on P.L. - **Not available** on other ranges.

Above standard process connections are also available in: "**BSP**"

For example: 1/2" BSP F (3316) = **S2B**

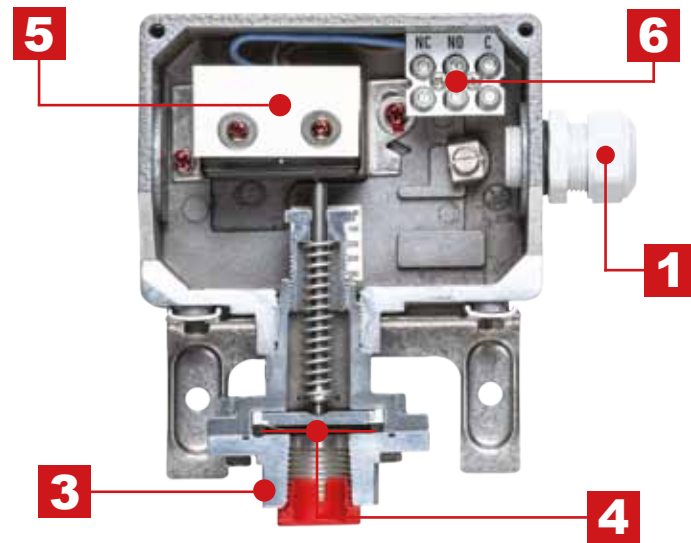
Process connections are also available in other materials like, Monel, PVC, Hastelloy, Titanium etc.

4 Selection of wetted parts.*

Diaphragm:	O-ring:	Code:
Buna N	Buna N	B1
Viton	Viton	V2
SS 316	Buna N	S1
SS 316	Viton	S2
SS 316	Teflon	S4
SS 316	EPDM	S6
SS 316	Welded	S0

* WETTED PARTS ARE NOT GUARANTEED,

against corrosion or permeation since processes vary from plant to plant and concentration of harmful fluids, gasses or solids vary from time to time in a given process. Empirical experience by users should be the final guide and alternate materials based on this are generally available. The diaphragm / O-Ring combinations are for process temperatures of -5°C to +90°C, unless otherwise indicated. For process temperatures beyond these limits please contact us.



5 Selection of microswitches.

Rating:		Use:	Code:
VAC.	VDC. ³⁾		
480/ 15A	28/ 0.5A	Standard	K1 ²⁾
480/ 10A	28/ 0.5A	Standaard for L-serie	L1 ²⁾
480/ 15A	125/ 0.5A	Normal DC-service	U1
125/ 1A	28/ 0.5A	For use in ³⁾ H ₂ S environment and/or for Ex ia / Ex ib applications.	Y1
250/ 0.1A	30/ 0.1A	Environmental proof (IP 67)	G1 ^{**}
250/ 0.1A	30/ 0.1A		O1
250/ 2A	30/ 2A		N1

1) For D.P.D.T action, second code figure should be specified as "2"
For example: K1 = S.P.D.T./ K2 = D.P.D.T

2) VDE certified acc. to DIN EN 61 058-1:1992+A1:1993.

3) Indicated ratings are for resistive DC load only.

** DC Rating not U.L. listed, although experience and third party testing confirm the D.C Voltage ratings. Consult us.

6 Selection of options.

Description:	Code:
Cable gland	C
Intrinsically Safe Application Ex i	I
Vacuum Protection Plate	M

Accessoires:

2" Pipe mount bracket set available.

Contents :
2 x bolts M6 x 100 mm + washer & nut

Size: +/- 1,5 mm, Material: SS 304

